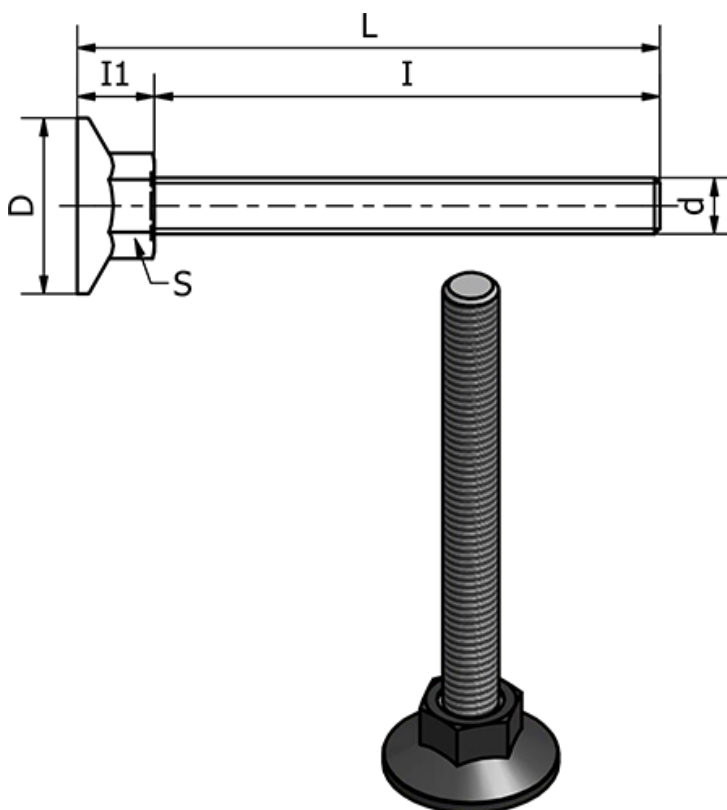


Article number: 2310431077S

Description: E+G Levelling elements
LX.30-SW17-M10X63-S

Measures



| | |
|--------------------|-------------|
| d | = M10 |
| D | = 30 |
| I | = 63 |
| I1 | = 12 |
| L | = 75 |
| S | = 17 |
| Static load in (N) | = 3000 |
| Type | = Forzinket |

Weight (g) = -